

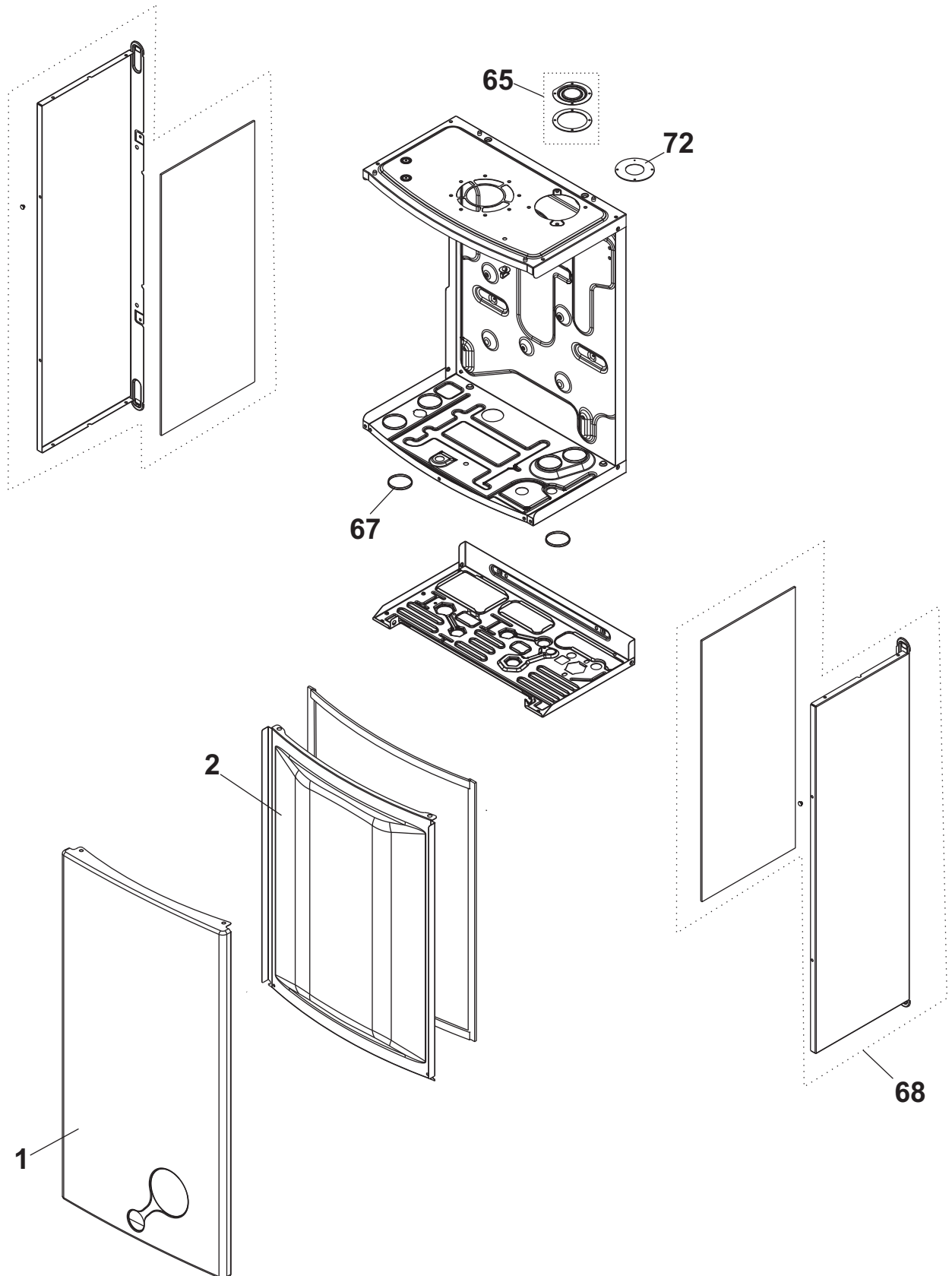
**ESPLOSO E LISTA RICAMBI
SPARE PARTS LIST**

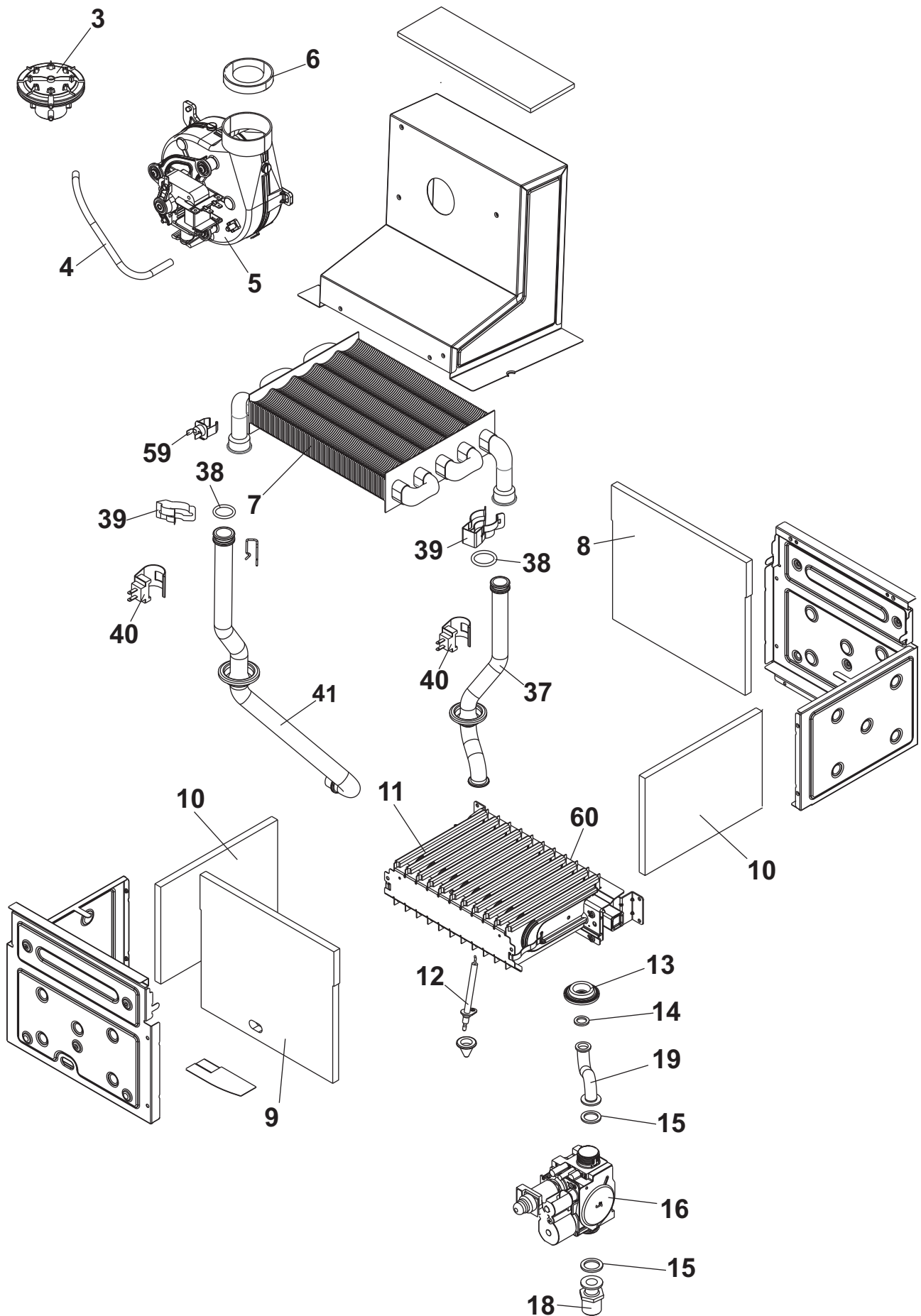
fondital
BRAND NAME
NOVA FLORIDA

**MINORCA
NIBIR**

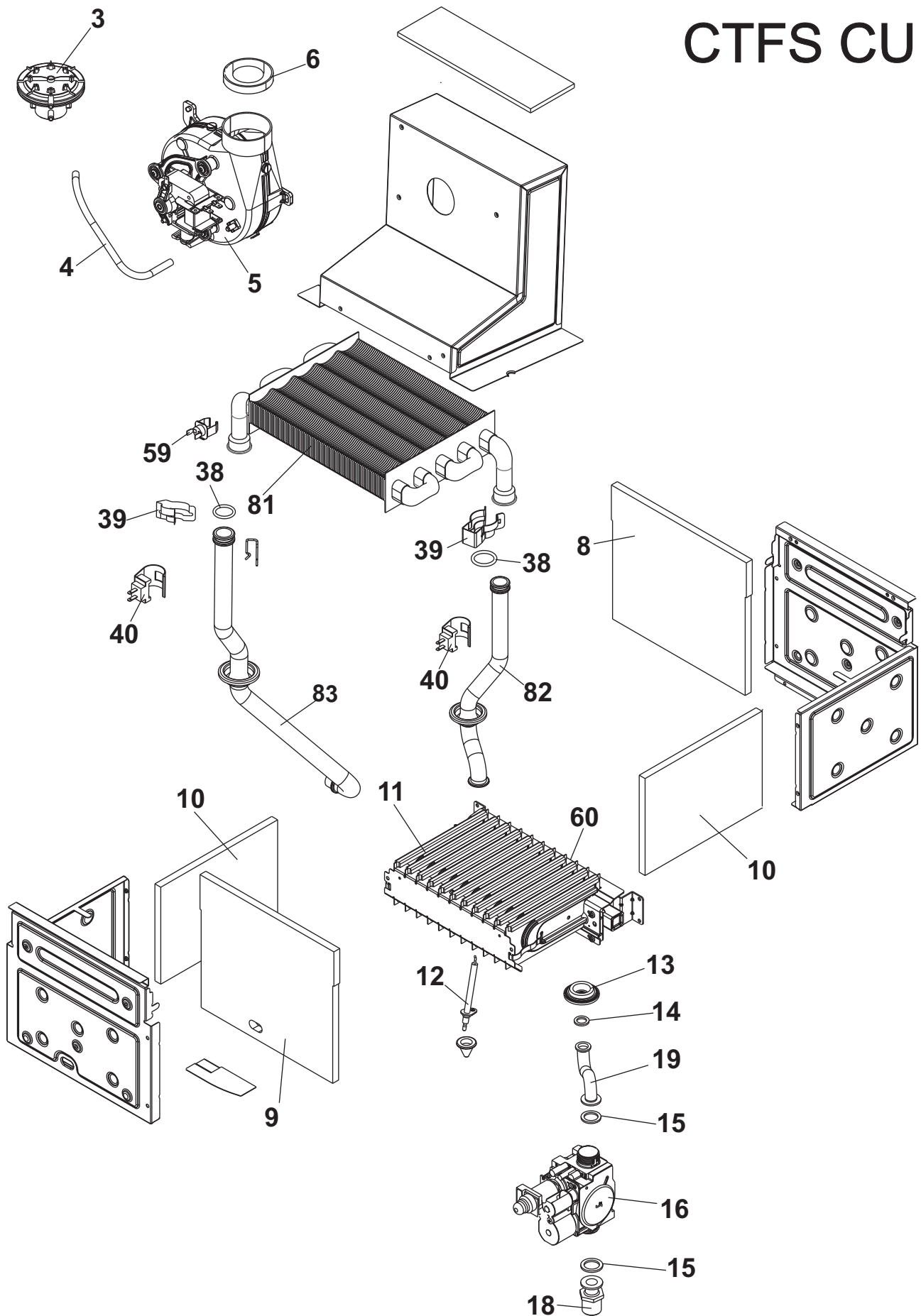


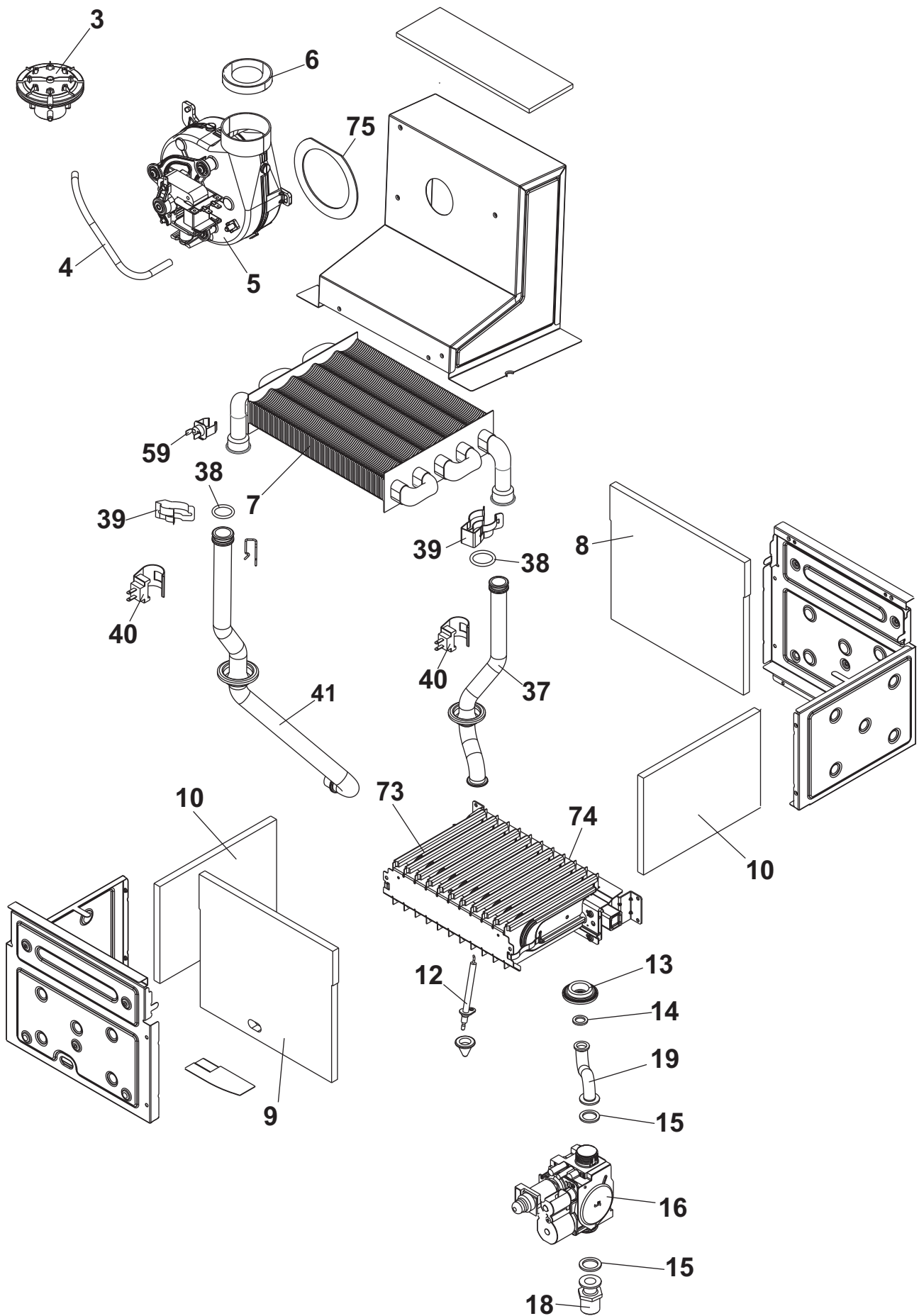
*CTFS-CTFS CU
9-11-13-15-18-24
CTN 24 CU*



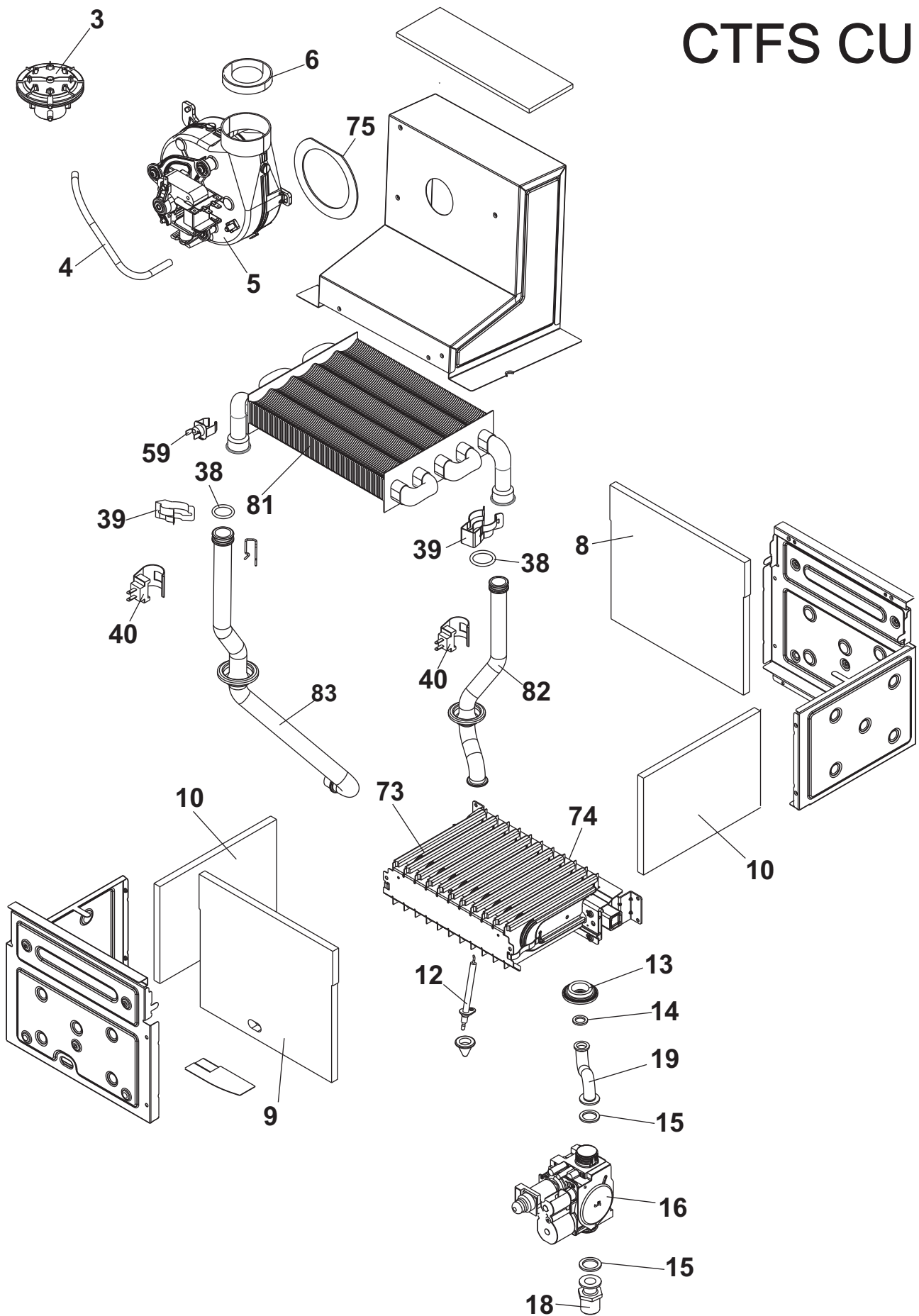


CTFS CU

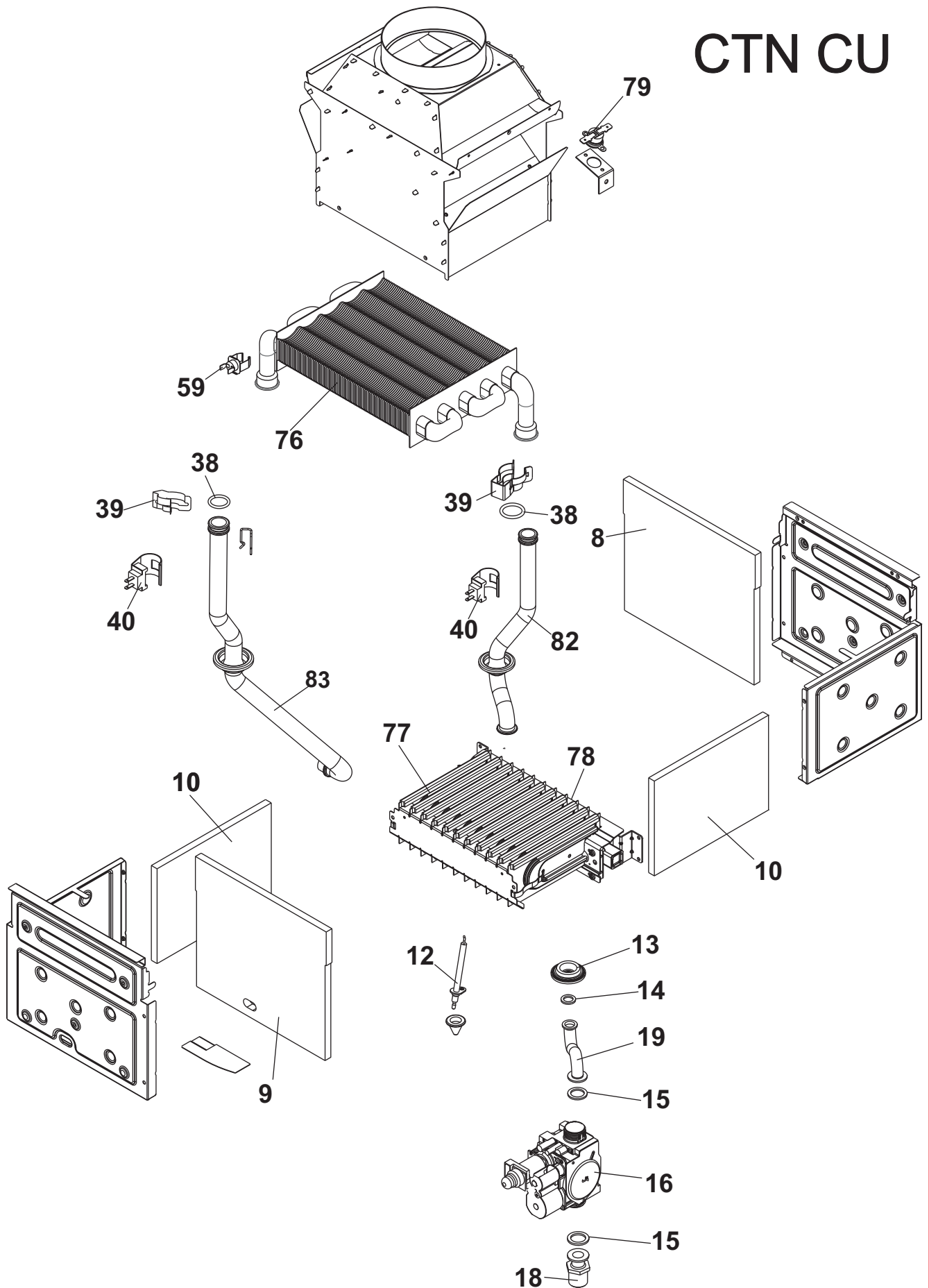


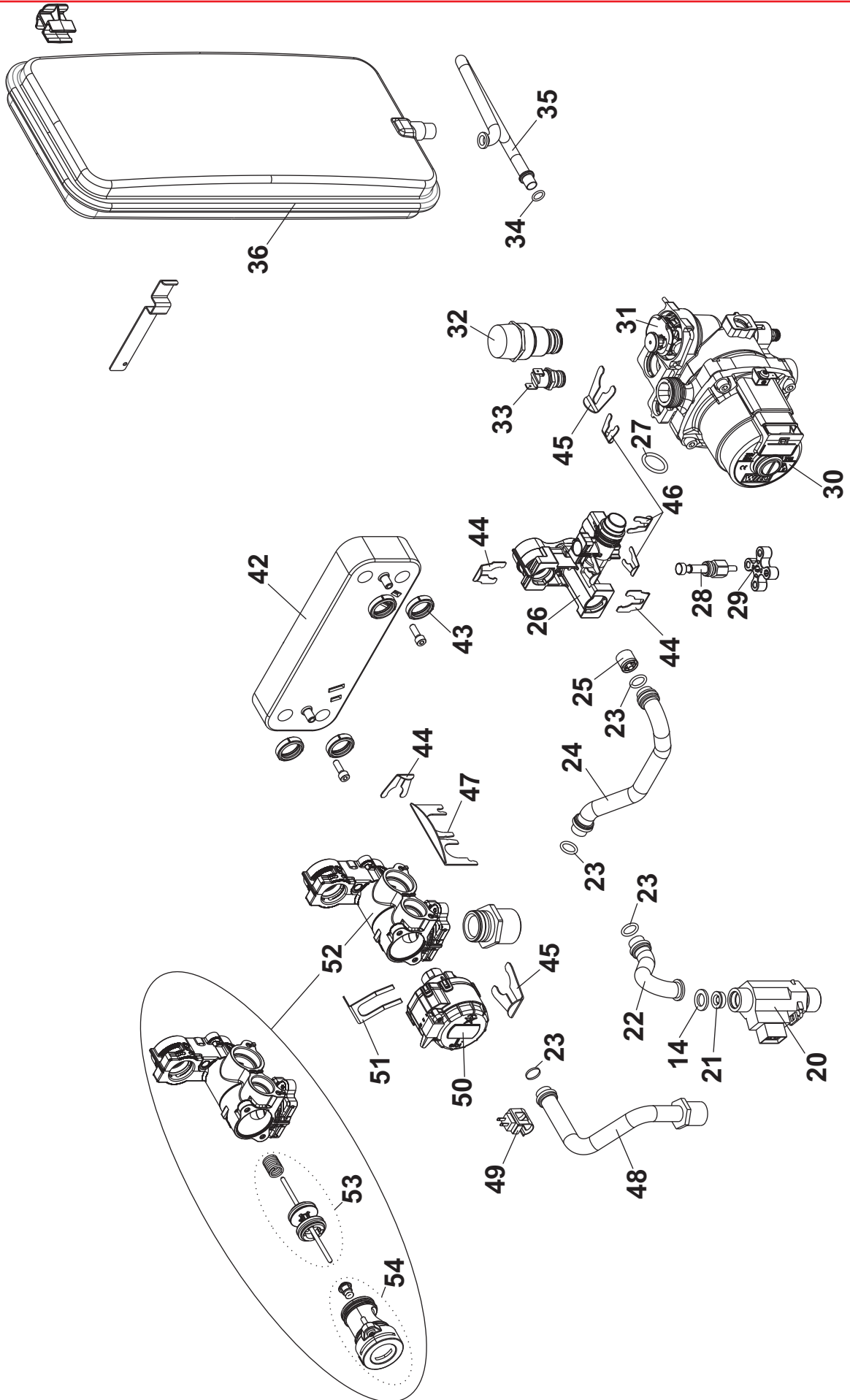


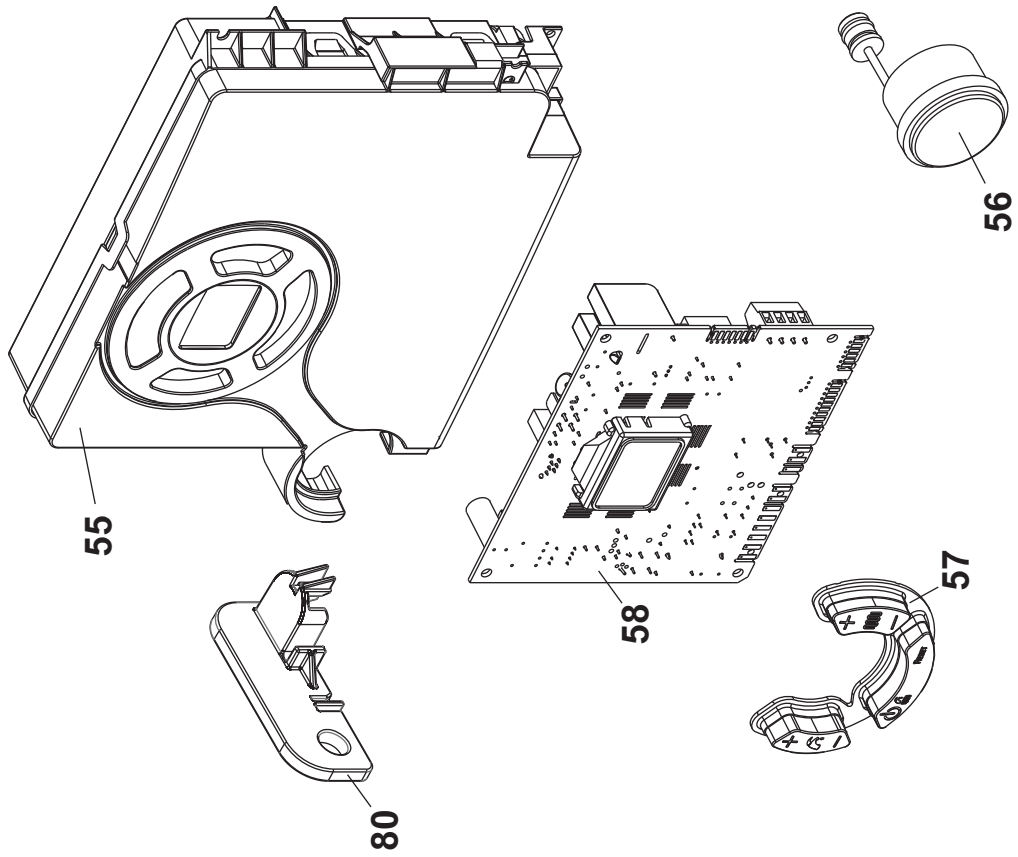
CTFS CU

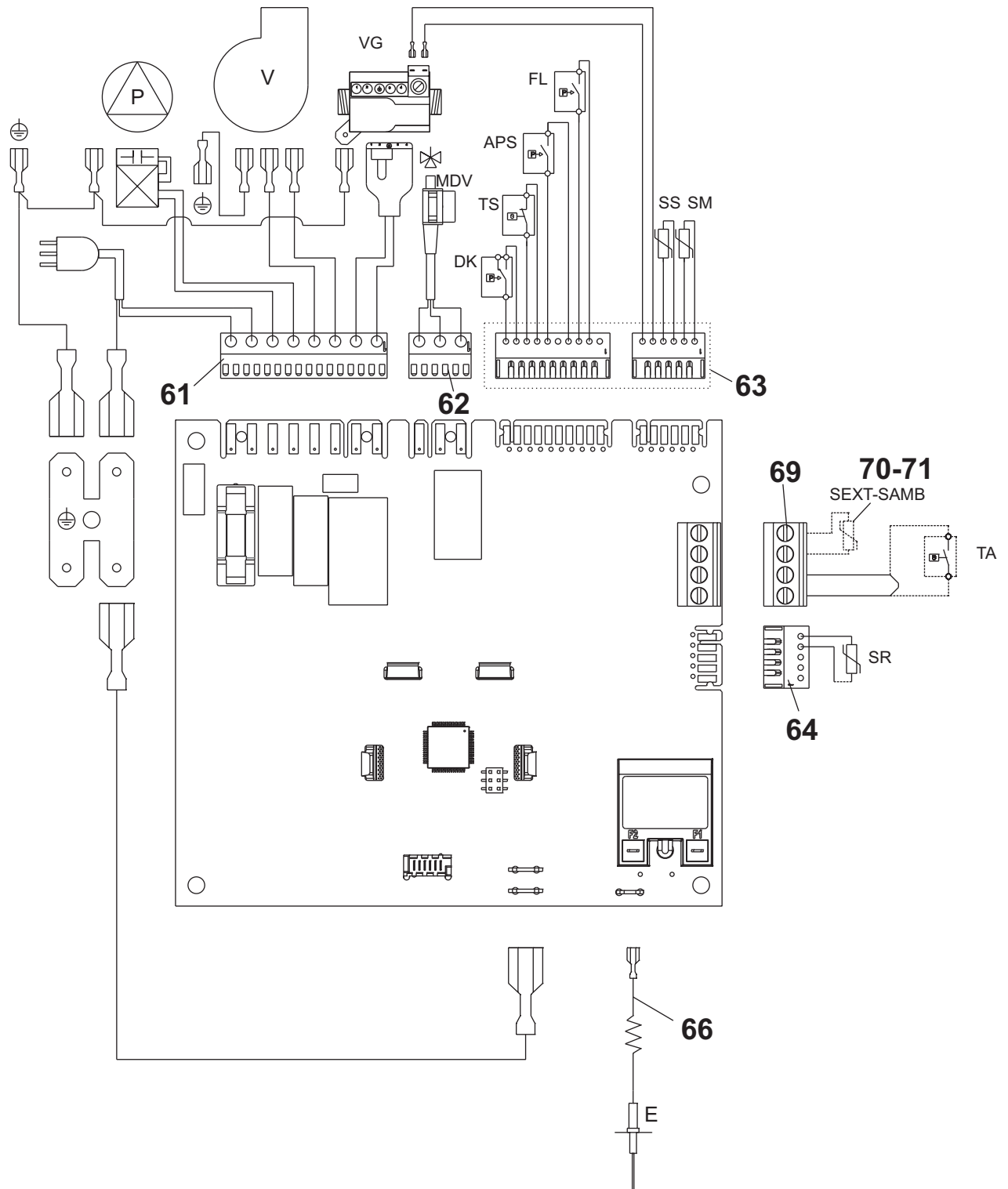


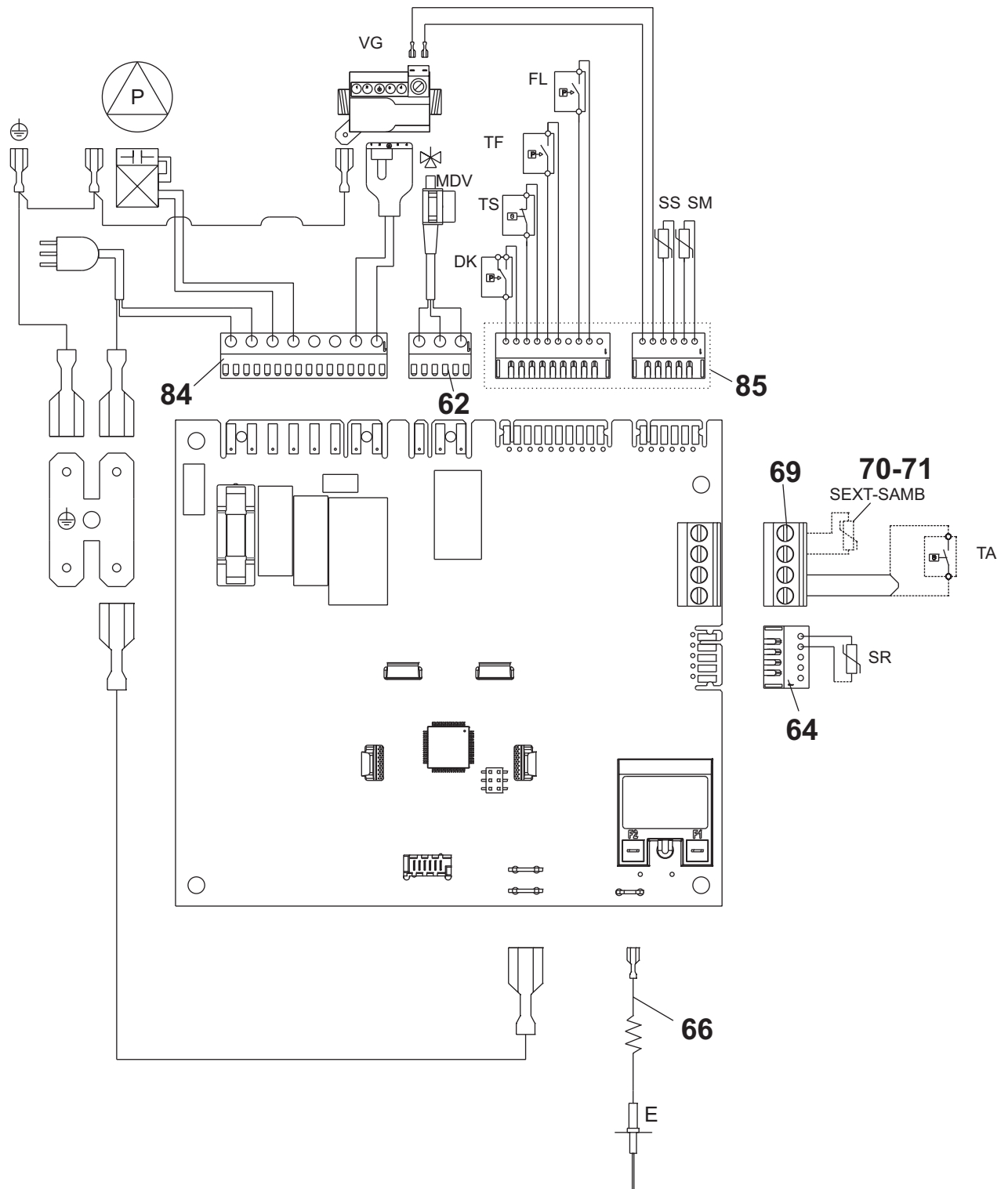
CTN CU











MINORCA-NIBIR CTFS-CTFS CU 9-11-13-15-18-24 CTN 24 CU

| Esp | Codice | Pz | Descrizione | Description |
|------------|---------------|-----------|--|--|
| 1 | 6PANNFRO33 | 1 | Pannello Frontale Minorca-Nibir | Minorca-Nibir Front Panel |
| 2 | 6PANNCAM00 | 1 | Pannello Chiusura Camera di Combustione | Combustion Chamber Closing Panel |
| 3 | 6PRESSOS11 | 1 | Pressostato 60/50 | Pressure Switch |
| 4 | 6YTUBCON02 | 3 m | Tubo Silicone | Silicone Pipe |
| 5 | 6VENTILA19 | 1 | Ventilatore Fumi | Fan |
| 6 | 6DIAFSCA01 | 3 | Diaframma Scarico Fumi 42 mm | Flue Gas Discharge Diaphragm Ø 42 |
| | 6DIAFSCA04 | 3 | Diaframma Scarico Fumi 40 mm | Flue Gas Discharge Diaphragm Ø 40 |
| | 6DIAFSCA05 | 3 | Diaframma Scarico Fumi 49 mm | Flue Gas Discharge Diaphragm Ø 49 |
| | 6DIAFSCA18 | 3 | Diaframma Scarico Fumi 38 mm | Flue Gas Discharge Diaphragm Ø 38 |
| | 6DIAFSCA11 | 3 | Diaframma Scarico Fumi 41 mm | Flue Gas Discharge Diaphragm Ø 41 |
| | 6DIAFSCA14 | 3 | Diaframma Scarico Fumi 47 mm | Flue Gas Discharge Diaphragm Ø 47 |
| | 6DIAFSCA19 | 3 | Diaframma Scarico Fumi 43 mm | Flue Gas Discharge Diaphragm Ø 43 |
| 7 | 6SCAMMON16 | 1 | Scambiatore monoterminico CTFS - AL | Monothermal heat exchanger CTFS-AL |
| 8 | 6ISOLFRO04 | 1 | Isolamento Fondo Cappa Fumi | Flue Gas Hood Base Insulation |
| 9 | 6ISOLFRO03 | 1 | Isolamento Frontale Cappa Fumi | Flue Gas Hood Front Insulation |
| 10 | 6ISOLLAT09 | 1 | Isolamento Laterale Cappa Fumi | Flue Gas Hood Side Insulation |
| 11 | 6BRUMMET22 | 1 | Brucciato 11 Rampe Metano CTFS | CTFS 11 Ramps Methane Comp. Gas Burner |
| | 6BRUMGPL22 | 1 | Brucciato 11 Rampe GPL. CTFS mono | Mono CTFS 11 Ramps LPG Gas Burner |
| 12 | 6CANDELA02 | 1 | Candela Di Accensione | Spark Plug |
| 13 | 6GUARSIL05 | 1 | Guarnizione In Silicone (Solo CTFS) | Silicone Gasket (CTFS Only) |
| 14 | 6GROMNIA02 | 10 | Guarnizione 1/2" Omnia Tesnit | 1/2" Omnia Tesnit Gasket |
| 15 | 6GROMNIA03 | 10 | Guarnizione 3/4" Omnia Tesnit | 3/4" Omnia Tesnit Gasket |
| 16 | 6VALVGAS04 | 1 | Valvola Gas SIT 845 | SIT 845 Gas Valve |
| 18 | 6RACCGAS00 | 1 | Raccordo Valvola Gas | Gas Valve Fitting |
| 19 | 6TUBOGAS40 | 1 | Tubo Gas | Gas Tube |
| 20 | 6FLUSSOS07 | 1 | Flussostato senza carico base rialzata | raised base flow switch |
| 21 | 6REGOFU08 | 3 | Regolatore Di Flusso 8 Lt/Min | Flow Regulator 8 Litres/Min |
| | 6REGOFU05 | 3 | Regolatore Di Flusso 10 Lt/Min (24) | Flow Regulator 10 Litres/Min (24) |
| 22 | 6TUBACFR14 | 1 | tubo acqua fredda con oring | cold water pipe with o-ring |
| 23 | 6ORINGXX00 | 10 | oring 13,95X2,62 dowty 113 | oring 13,95X2,62 dowty 113 |
| 24 | 6TUBOBYP05 | 1 | tubo bypass compatta | by-pass tube |
| 25 | 6VALVBYP03 | 1 | Valvola by-pass 400 mbar | 400 mbar by-pass valve |
| 26 | 6COLLETT06 | 1 | Collettore per gruppo idraulico | hydraulic group collector |
| 27 | 6ORINGXX04 | 10 | Oring 2.62X18.72 Dowty 116 | Oring 2.62X18.72 Dowty 116 |
| 28 | 6RUBICAR08 | 1 | rubinetto caricamento nuove compatte | filling tap |
| 29 | 6POMELLO01 | 1 | Manopola Per Rubinetto Di Carico | Filling Tap Knob |
| 30 | 6CIRCOLA21 | 1 | Circolatore Intmsl 12-5 1 KU - C | Intmsl 12-5 1 KU - C Circulating |
| 31 | 6DEGASAT00 | 1 | degasatore per circolatore murali | degasser for wall-hung boilers |
| 32 | 6VALSIBA17 | 1 | valvola sicurezza 3 bar plastica porta gomma | 3 bar snap-on safety valve |
| 33 | 6PRESSAC06 | 1 | Pressostato Acqua Attacco Rapido | Push-In Water Pressure Switch |
| 34 | 6ORINGXX06 | 10 | oring 2.62X 9.19 dowty 110 | oring 2.62X 9.19 dowty 110 |
| 35 | 6TUBCOVA00 | 1 | tubo collegamento vaso espansione con oring | expansion tank connection pipe with o-ring |
| 36 | 6VASOESP23 | 1 | Vaso D'espansione 7 Litri | 7 Litre Expansion Tank |
| 37 | 6TUBRIIM44 | 1 | tubo ritorno riscaldamento con oring Al | return duct from the heating system with o-ring Al |
| 38 | 6ORINGXX03 | 10 | oring 2.62X17.86 dowty 617 | oring 2.62X17.86 dowty 617 |
| 39 | 6CLIPCOR01 | 1 | Clip di Connessione Rapida 18/26 | 18/26 Push-in fitting clip |
| 40 | 6SONDNTC06 | 1 | Sonda NTC D18 | NTC probe D18 |
| 41 | 6TUBMAIM61 | 1 | tubo mandata riscaldamento con oring-Al | delivery duct to the heating system with o-ring Al |
| 42 | 6SCAMP1A07 | 1 | scambiatore 12 piastre con guarnizioni e viti | 12-plate heat exchanger with gaskets and screws |
| | 6SCAMP1A08 | 1 | scambiatore 14 piastre con guarnizioni e viti | 14-plate heat exchanger with gaskets and screws |
| 43 | 6GUARNIZ50 | 4 | guarnizione tenuta scambiatore a piastre | plate heat exchanger o-ring seal |
| 44 | 6CLIPCIR02 | 3 | Clip W14 Attacco Rapido Plastica | Push-In Fitting W14 Clip |
| 45 | 6CLIPCIR00 | 3 | Clip W18 Attacco Rapido Plastica | Push-In Fitting W18 Clip |
| 46 | 6CLIPCIR01 | 3 | Clip W10 Attacco Rapido Plastica | Push-In Fitting W10 Clip |
| 47 | 6CLIPTUB00 | 1 | clip di fissaggio tubi gruppo idraulico plastica | fixing clip for plastic hydraulic group pipes |
| 48 | 6TUBACCA15 | 1 | tubo acqua calda con oring | DHW pipe with o-ring |

| Esp | Codice | Pz | Descrizione | Description |
|------------|---------------|-----------|--|--|
| 49 | 6SONDNTC07 | 1 | Sonda NTC D13.5 | NTC probe D13.5 |
| 50 | 6ATTCOMP00 | 1 | Attuatore compatto - corsa 10mm | compact engine |
| 51 | 6CLIFMEL00 | 3 | clip di fissaggio motore elettrico | electric engine fixing clip |
| 52 | 6CORPVAL05 | 1 | valvola tre vie plastica completa | complete three-way plastic valve |
| 53 | 6OTTUVAL00 | 1 | otturatore completo valvola 3 vie | complete 3-way valve plate |
| 54 | 6CARTVAL00 | 1 | cartuccia valvola 3 vie completa | complete 3-way valve cartridge |
| 55 | 6PANNCOM08 | 1 | Pannello Comandi | Control Panel |
| 56 | 6MANOMET17 | 1 | Manometro innesto rapido 1,5 m d.37 C | Pressure Gauge 1,5 m d.37 C |
| 57 | 6TASTMUL02 | 1 | Tastiera Multipla | Multiple keyboard |
| 58 | 6SCHEMOD34 | 1 | scheda modulazione monotermica | Monothermal electronic board |
| 59 | 6TERMSIC15 | 1 | termostato di sicurezza | safety thermostat |
| 60 | 0TRASMET19 | 1 | Trasf. Metano Minorca-Nibir CTFS 9-11-13-15-18 | Methane Conversion Kit Minorca-Nibir CTFS |
| | 0TRASGPL19 | 1 | Trasf. GPL Minorca-Nibir CTFS 9-11-13-15-18 | P.L.G. Conversion Kit Minorca-Nibir CTFS |
| 61 | 6CTENDER00 | 1 | cablaggio aliment.carichi CTFS | CTFS load wiring |
| 62 | 6CTENDER01 | 1 | Cablaggio MDV | Connection MDV |
| 63 | 6CTENDER05 | 1 | Cablaggio segnali -sonde - modulatore | Signals wiring |
| 64 | 6CTENDER15 | 1 | Cablaggio sonda SR | Connection probe SR |
| 65 | 6COPTACF01 | 1 | tappo chiusura fumi | flue gases plug |
| 66 | 6CTENDER14 | 1 | cablaggio accensione-rilevazione | spark plug connection |
| 67 | 6TAPPOXX07 | 1 | Tappo Foro Nero D38.1 | D38.1 Black Cap |
| 68 | 6PANLAT29 | 1 | Pannello Laterale Basic | Basic Side Panel |
| 69 | 6CAVOPON00 | 3 | cavo ponticello | jumper cable |
| 70 | 6SONDAES01 | 1 | sonda esterna | external probe |
| 71 | 6SONDAMB00 | 1 | sonda ambiente | room probe |
| 72 | 6DIAFASP04 | 1 | diaframma aspirazione Ø47 | Ø47 suction diaphragm |
| 73 | 6BRUMMET13 | 1 | Brucciore 11 Rampe Metano CTFS | CTFS 11 Ramps Methane Comp. Gas Burner |
| | 6BRUMGPL18 | 1 | Brucciore 11 Rampe GPL. CTFS mono | Mono CTFS 11 Ramps LPG Gas Burner |
| 74 | 0TRASMET09 | 1 | Trasf. Metano Compatta | Methane Conversion Kit Compact |
| | 0TRASGPL08 | 1 | Trasf. GPL Compatta | P.L.G. Conversion Kit Compact |
| 75 | 6GUARNIZ55 | 1 | guarnizione bocca ventilatore | fan seal |
| 76 | 6SCAMMON14 | 1 | Scambiatore monotermico CTN | Monothermal heat exchanger CTN |
| 77 | 6BRUMMET14 | 1 | Brucciore 11 Rampe Metano CTN | CTN 11 Ramps Methane Complete Gas Burner |
| | 6BRUMGPL14 | 1 | Brucciore 11 Rampe G.P.L. CTN | CTN 11 Ramps L.P.G. Complete Gas Burner |
| 78 | 0TRASMET14 | 1 | Trasf. Metano Compatta CTN | Methane Conversion Kit Compact CTN |
| | 0TRASGPL03 | 1 | Trasf. GPL Compatta CTN | P.L.G. Conversion Kit Compact CTN |
| 79 | 6TERMFUM02 | 3 | Termostato Fumi 70 °C | 70°C Thermostat |
| 80 | 6STAFISS61 | 1 | Staffa fissaggio | Bracket |
| 81 | 6SCAMMON09 | 1 | Scambiatore monotermico CTFS - Rame | Monothermal heat exchanger CTFS-Cu |
| 82 | 6TUBRIIM20 | 1 | tubo ritorno riscaldamento con oring Cu | return duct from the heating system with o-ring Cu |
| 83 | 6TUBMAIM27 | 1 | tubo mandata riscaldamento con oring Cu | delivery duct to the heating system with o-ring Cu |
| 84 | 6CTENDER22 | 1 | cablaggio aliment.carichi CTN | CTN load wiring |
| 85 | 6CTENDER23 | 1 | Cablaggio segnali -sonde - modulatore | Signals wiring |

